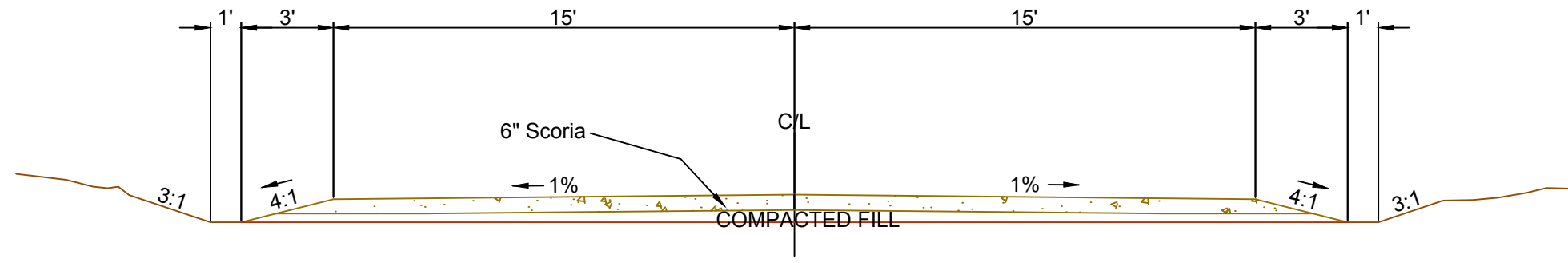
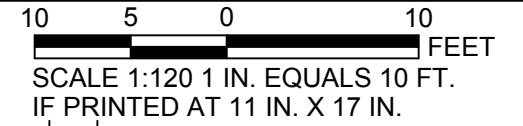


ACCESS ROADS CROSS-SECTION OF TYPICAL CUT AREA



ACCESS ROADS CROSS-SECTION OF TYPICAL FILL AREA



REV	DATE	DES	REVISION DESCRIPTION	CADD	CHK	R/W
△	12/13/10	JDS	COMPLETENESS COMMENTS	JDS	JRH	JRH
△	03/31/10	JDS	ORIGINAL PERMIT SUBMITTAL	JDS	JRH	JRH

PROJECT
 SOUTH HEART COAL LLC
 SOUTH HEART LIGNITE MINE
 SOUTH HEART, NORTH DAKOTA



TITLE
 ACCESS ROADS
 TYPICAL CROSS-SECTIONS

NORWEST CORPORATION	PROJECT No.	4284-01-400	FILE No.	Haul Routes & Lignite Ramps.dwg
	DESIGN	JDS	01/28/10	SCALE AS SHOWN
	CADD	JDS	01/29/10	REV. 1
	CHECK	JRH	12/13/10	Figure 3.5-3
	REVIEW	JRH	12/13/10	

I, James R. Hitt, certify that the plans for the Main Haul Road Cross-Sections were prepared by myself or under my direct supervision

This document was originally issued and sealed by James R. Hitt, PE, registration number PE 2442 on December 13, 2010, and is stored at Golder Associates Inc., 44 Union Boulevard, Suite 300, Lakewood Colorado.